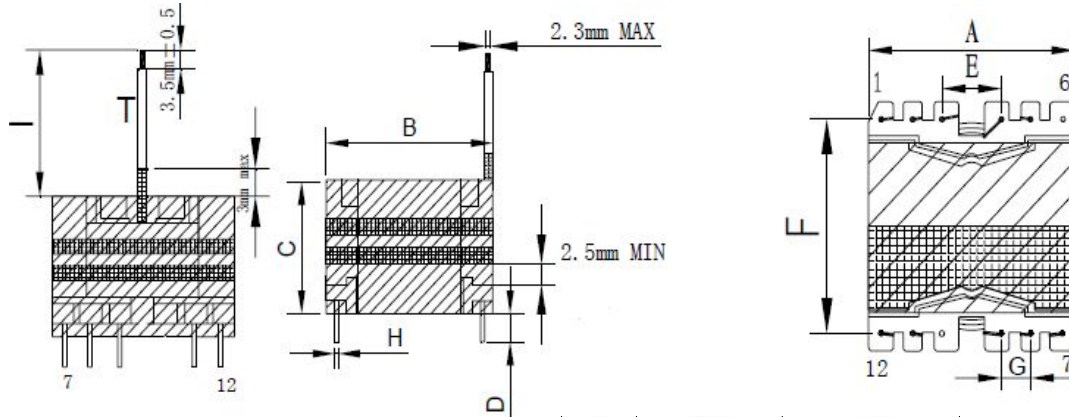


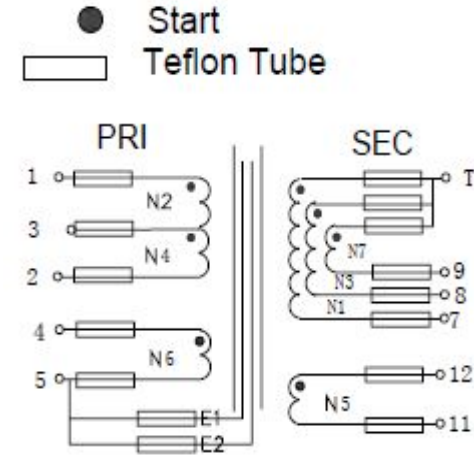
| | | |
|-------------------|------|---------------|
| CUSTOMER TERMINAL | ROHS | Lead(Pb)-free |
| | YES | YES |

1. Mechanical Dimensions



| | | |
|---|------|------|
| A | 35.0 | MAX |
| B | 35.0 | MAX |
| C | 23.5 | MAX |
| D | 3.5 | ±0.5 |
| E | 7.5 | ±0.3 |
| F | 30.0 | ±0.4 |
| G | 5.0 | ±0.3 |
| H | 0.80 | ±0.1 |
| I | 43.0 | ±2.0 |

2. Schematic Diagram



3. Material List

Core:FW44 PQ3220
 Bobbin:FWB3201-1(6+6PIN)
 Wire:2UEW TIW LITZ
 Copper foil:0.025t*8.0mm
 Operating Temperature: -30 to115 °C

4. Electrical Specification

Inductance : $L(1-2):1.4mH \pm 5\%$ 30KHZ , 1.0V
 Leakage Inductance : 10uH MAX 30KHZ , 1.0V
 DCR : (1-2)=0.58Ω MAX (9-T)=98mΩ MAX
 Hi-Pot:P-S: AC 60Hz 4000V 2mA 3S
 P-CORE: AC 60Hz 500V 2mA 3S

| | | | | | | |
|------|-------|--------------------------|------|------|----------------|--------------|
| REV. | DATE | Convention Placement | DRW. | | Drawing Title: | Part No: |
| 0 | 00/00 | | CHK. | | | |
| | | | | APP. | | Customer P/N |

ROHS

www.ferriwo.com